



ACTIVE HORN SPEAKER

SC-PE615



We supply sound, not equipment.

Active Horn Speaker



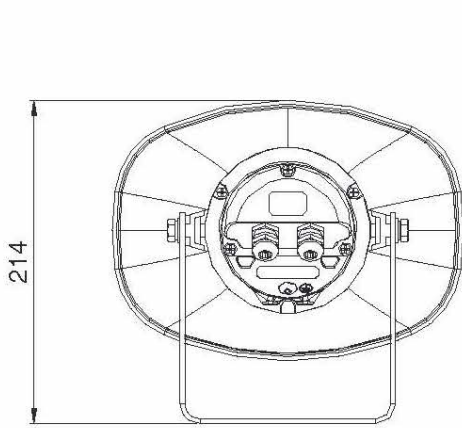
The SC-PE615 is a compact, highly intelligible speaker with a built-in 10W power amplifier powered by PoE+ and DC input, that provides public address announcement and remote paging via network video surveillance applications. Its rugged enclosure is IP66 rated for outdoor environments.

KEY FEATURES

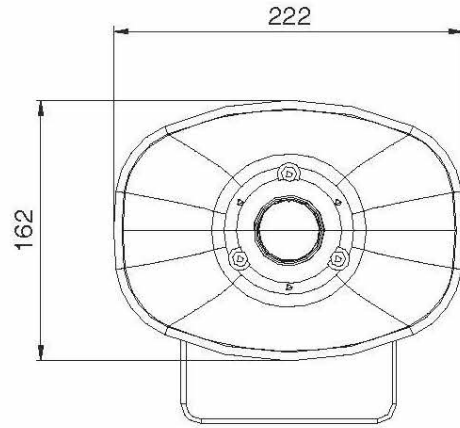
- ▶ For public address announcements and remote paging.
- ▶ A compact and highly intelligible speaker.
- ▶ Built-in 10W power amplifier powered by PoE+ and DC input.
- ▶ IP66 rated for outdoor environments.



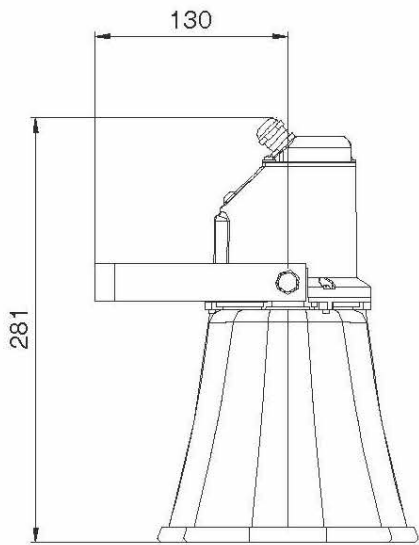
APPEARANCE



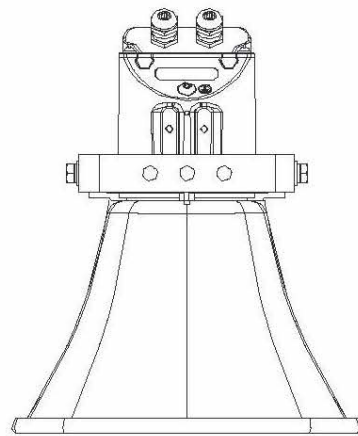
Rear View



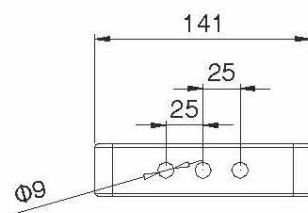
Front View



Side View A



Side View B



Mounting hole position

UNIT: mm SCALE: 1/5

SPECIFICATIONS

Power Source	DC12V/ DC24V (9V-29V) PoE+ (IEEE802.3at) PoE (IEEE802.3af)
Power Consumption	35 W or less (Rated output) 4 W or less (Standby)
Maximum Sound Pressure Level	115dB±3dB
Sensitivity	105dB±3dB (1 W, 1 m)
Standby Power	≤ 4W
Rated output to Speaker	7.5W (at DC12V powered) 10W (at PoE+ powered) 5W (at PoE powered)
Rated output for Speaker output	7.5W (at DC12V powered) 10W (at PoE+ powered) 5W (at PoE powered)
Signal to Noise Ratio	≥ 85dB (Speaker output)
Frequency Response	280Hz ~ 12.5KHz (Speaker output)
Distortion	0.5% or less
Audio Input	-6dB, 10kΩ electronically-balanced, removeable terminal block (3 pins)
Speaker output	Low impedance (8Ω)
PoE / PoE+ Interface	RJ45
Indicators	Power indicator LED (Rear side /Bottom side) Audio input indicator LED
Dust/Water protection	IP66
Operating temperature	-20° ~ +50°C
Operating humidity	10% ~ 90%RH (no condensing)
Finish	Horn flare: Aluminium, off-white, powder coating Reflector horn and rear cover: Aluminium, off-white, powder coating Cable Gland: Nickle plated copper Brackets, screws and bolts: Stainless steel
Dimensions	222(W) x 162(H) x 281(D) mm
Weight	1.35 kb (2.98 lb)
Accessories	Removeable terminal plug (2 pins) . . . 1pcs Removeable terminal plug (4 pins) . . . 1pcs Removeable terminal plug (3 pins) . . . 1pcs

TOA Corporation (UK) Ltd

www.toa.co.uk

Specifications are subject to change without notice. V2.0 July 2025